

Teretna rastavna sklopka LBS

Tehnički podaci po IEC 60947-3

Tip			LBS 160	LBS 250	LBS 400	LBS 630	LBS 800	LBS 1000	LBS 1250	LBS 1600	LBS 2000	LBS 2500	LBS 3200
Nazivna struja	(I _n)		160A	250A	400A	630A	800A	1000A	1250A	1600A	2000A	2500A	3200A
Nazivni izolacioni napon	(U _i)	(V)	800	800	1000	1000	1000	1000	1000	1000	1000	1000	1000
Nazivni impulsni napon	(U _{imp})	(kV)	8	8	12	12	12	12	12	12	12	12	12
Termička struja 40°C	(I _{th})	(A)	160	250	400	630	800	1000	1250	1600	2000	2500	3200
Nazivna radna struja (I _e)	AC-20 A/B ⁽¹⁾	415V AC	(A) 160/160	250/250	400/400	630/630	800/800	1000/1000	1250/1250	1600/1600	2000/2000	2500/2500	3200/3200
	AC-21 A/B ⁽¹⁾	415V AC	(A) 160/160	250/250	400/400	630/630	800/800	1000/1000	1250/1250	1600/1600	2000/2000	2500/2500	3200/3200
	AC-22 A/B ⁽¹⁾	415V AC	(A) 160/160	250/250	400/400	630/630	800/800	1000/1000	1250/1250	1600/1600	2000/2000	2500/2500	2500/3200
	AC-23 A/B ⁽¹⁾	415V AC	(A) 160/160	250/250	400/400	500/500	800/800	1000/1000	1250/1250	1250/1250	1600/1600	1600/1600	1600/1600
	DC-20 A/B ⁽¹⁾	220V DC	(A) 160/160	250/250	400/400	630/630	800/800	1000/1000	1250/1250	1600/1600	2000/2000	2500/2500	3200/3200
	DC-21 A/B ⁽¹⁾	220V DC	(A) 160/160	250/250	400/400	630/630	800/800	1000/1000	1250/1250	1250/1600	2000/2000	2000/2500	2000/2500
	DC-22 A/B ⁽¹⁾	220V DC	(A) 160/160	250/250	400/400	500/500	800/800	1000/1000	1250/1250	1250/1250	1250/1600	1250/1600	1250/1600
	DC-23 A/B ⁽¹⁾	220V DC	(A) 125/125	200/200	400/400	500/500	800/800	1000/1000	1250/1250	1250/1250	1250/1250	1250/1250	1250/1250
	DC-20 A/B ⁽¹⁾	440V DC	(A) 160/160	250/250	400/400	630/630	800/800	1000/1000	1250/1250	1600/1600	2000/2000	2500/2500	3200/3200
	DC-21 A/B ⁽¹⁾	440V DC	(A) 160 ⁽³⁾ /160 ⁽³⁾	200 ⁽³⁾ /200 ⁽³⁾	400 ⁽³⁾ /400 ⁽³⁾	500 ⁽³⁾ /500 ⁽³⁾	800 ⁽³⁾ /800 ⁽³⁾	1000 ⁽⁴⁾ /1000 ⁽⁴⁾	1250 ⁽⁴⁾ /1250 ⁽⁴⁾	1250 ⁽⁴⁾ /1600 ⁽⁴⁾	2000 ⁽⁴⁾ /2000 ⁽⁴⁾	2000 ⁽⁴⁾ /2500 ⁽⁴⁾	2500 ⁽⁴⁾ /3200 ⁽⁴⁾
	DC-22 A/B ⁽¹⁾	440V DC	(A) 125 ⁽³⁾ /125 ⁽³⁾	200 ⁽³⁾ /200 ⁽³⁾	400 ⁽³⁾ /400 ⁽³⁾	500 ⁽³⁾ /500 ⁽³⁾	800 ⁽³⁾ /800 ⁽³⁾	1000 ⁽⁴⁾ /1000 ⁽⁴⁾	1250 ⁽⁴⁾ /1250 ⁽⁴⁾	1250 ⁽⁴⁾ /1250 ⁽⁴⁾	1250 ⁽⁴⁾ /1250 ⁽⁴⁾	1250 ⁽⁴⁾ /1250 ⁽⁴⁾	1250 ⁽⁴⁾ /1250 ⁽⁴⁾
	DC-23 A/B ⁽¹⁾	440V DC	(A) 125 ⁽³⁾ /125 ⁽³⁾	200 ⁽³⁾ /200 ⁽³⁾	400 ⁽³⁾ /400 ⁽³⁾	500/500	800 ⁽³⁾ /800 ⁽³⁾	1000 ⁽⁴⁾ /1000 ⁽⁴⁾	1250 ⁽⁴⁾ /1250 ⁽⁴⁾	1250 ⁽⁴⁾ /1250 ⁽⁴⁾	1250 ⁽⁴⁾ /1250 ⁽⁴⁾	1250 ⁽⁴⁾ /1250 ⁽⁴⁾	1250 ⁽⁴⁾ /1250 ⁽⁴⁾
	DC-20 A/B ⁽¹⁾	500V DC	(A) 160/160	250/250	400/400	630/630	800/800	1000/1000	1250/1250	1600/1600	2000/2000	2500/2500	3250/3250
	DC-21 A/B ⁽¹⁾	500V DC	(A) 125 ⁽³⁾ /125 ⁽³⁾	200 ⁽³⁾ /200 ⁽³⁾	400 ⁽³⁾ /400 ⁽³⁾	500 ⁽³⁾ /500 ⁽³⁾	800 ⁽³⁾ /800 ⁽³⁾	1000 ⁽⁴⁾ /1000 ⁽⁴⁾	1250 ⁽⁴⁾ /1250 ⁽⁴⁾	1250 ⁽⁴⁾ /1600 ⁽⁴⁾	1250 ⁽⁴⁾ /1250 ⁽⁴⁾	1250 ⁽⁴⁾ /1250 ⁽⁴⁾	1250 ⁽⁴⁾ /1250 ⁽⁴⁾
	DC-22 A/B ⁽¹⁾	500V DC	(A) 125 ⁽³⁾ /125 ⁽³⁾	200 ⁽³⁾ /200 ⁽³⁾	315 ⁽⁴⁾ /400 ⁽⁴⁾	500 ⁽³⁾ /500 ⁽³⁾	800 ⁽³⁾ /800 ⁽³⁾	1000 ⁽⁴⁾ /1000 ⁽⁴⁾	1250 ⁽⁴⁾ /1250 ⁽⁴⁾	1250 ⁽⁴⁾ /1250 ⁽⁴⁾	1250 ⁽⁴⁾ /1250 ⁽⁴⁾	1250 ⁽⁴⁾ /1250 ⁽⁴⁾	1250 ⁽⁴⁾ /1250 ⁽⁴⁾
DC-23 A/B ⁽¹⁾	500V DC	(A) 125 ⁽³⁾ /125 ⁽³⁾	200 ⁽³⁾ /200 ⁽³⁾	315 ⁽⁴⁾ /400 ⁽⁴⁾	500 ⁽³⁾ /500 ⁽³⁾	800 ⁽³⁾ /800 ⁽³⁾	1000 ⁽⁴⁾ /1000 ⁽⁴⁾	1250 ⁽⁴⁾ /1250 ⁽⁴⁾	1250 ⁽⁴⁾ /1250 ⁽⁴⁾	1000 ⁽⁴⁾ /1000 ⁽⁴⁾	1000 ⁽⁴⁾ /1000 ⁽⁴⁾	1000 ⁽⁴⁾ /1000 ⁽⁴⁾	
Radna moć AC 23 ⁽¹⁾⁽⁵⁾	415V AC	(kW)	80/80	132/132	220/220	280/280	450/450	560/560	710/710	710/710	710/710	710/710	710/710
Reaktivna moć ⁽⁵⁾	400 V	(kVAr)	75	115	185	290	365	460	-	-	-	-	-
Nazivna kratkospojna moć I _{cw}	1 s.	(kA)	7	9	13	13	35	35	35	50	50	50	50
	0,25 s.	(kA)	11,9	15,3	26	26	73,5	73,5	73,5	75	80	80	80
Nazivna kratkospojna struja predosigurača													
Predosigurač ⁽⁶⁾		(A)	160	250	400	630	800	1000	1250	2x800	2x1000	2x1250	-
Katkospojna struja		(kA)	100	50	100	70	50	100	100	100	100	100	-
U primjeru zaštite s prekidačem, treba da isklopi prije nego u 0,3 sekundah.													
Kratkotrajna vzdržna struja I _{cw}	0,3 s.	(kA)	15	17	25	25	50	65	65	100	100	100	100
Priključenje													
Min. preseći Cu vodiča	mm ²		50	95	185	2x150	2x185	2x240	-	-	-	-	-
Max. preseći Cu vodiča	mm ²		95	150	240	2x300	2x300	4x185	4x185	4x185	-	-	-
Min. preseći Cu sabirnica	mm		-	-	-	2x30x5	2x40x5	2x50x5	2x60x5	2x80x5	3x100x5	4x100x5	4x100x5
Max. širine Cu sabirnica	mm		25	32	40	50	63	63	63	100	100	100	100
Momenat pritezanja min/max	Nm		9/-	20/-	20/-	20/-	40/45	40/45	40/45	40/45	40/45	40/-	40/-
Radni navor	Nm		6,5	10	14,5	14,5	37	37	37	56	75	75	75
Trajnost (broj radnih cikla)	cikli		10 000	10 000	10 000	10 000	3 000	3 000	3 000	4 000	3 000	3 000	3 000
Disipacija snage	W/pol		3	5,8	10,8	30,9	39,7	42	80	122	140	205	340

⁽¹⁾ - Indeks A = česti rad, indeks B = rijetki rad.

⁽²⁾ - Sa poklopcima ili faznom barijerom.

⁽³⁾ - 3 polna sklopka sa 2 pola u seriji za "+" i 1 pol za "-".

⁽⁴⁾ - 4 polna sklopka sa 2 pola u seriji za svaki polaritet.

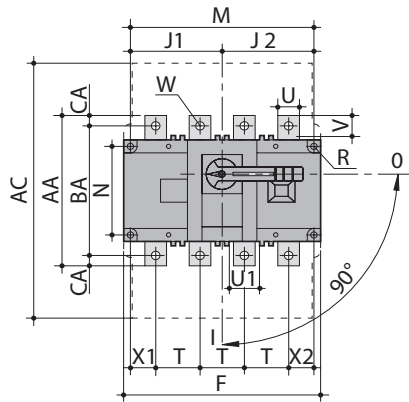
⁽⁵⁾ - Vrednosti su informativne.

⁽⁶⁾ - Za nazivni radni napon U_e = 415 VAC.

Dimenzije

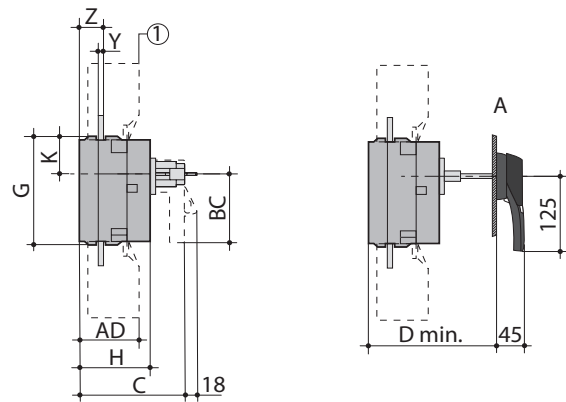
LBS 160 - LBS 630

Direktni prednji pogon
Sprijeda



I. Poklopci za stezaljke

Prednji produženi pogon
Sa strane

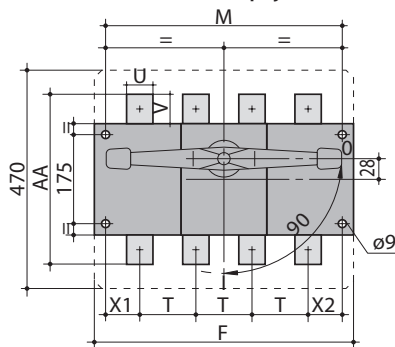


A. Tip ručice: LBS-EH630

Struja (A)	Dimenzije (mm)		Poklopci za stezaljke, (mm)		Tijelo sklopke, (mm)							Montaža sklopke, (mm)					Priklučenje, (mm)													
	C	D min	AC	AD	F (3p)	F (4p)	G	H	J1 (3p)	J1 (4p)	J2	K	BC	M (3p)	M (4p)	N	R	T	U	U1	V	W	X1 (3p)	X1 (4p)	X2	Y	Z	AA	BA	CA
160	115	125	235	50	140	170	93	65	45	75	75	31.5	80	120	150	65	5.5	36	20	20.5	25	9	28	22	20	3.5	20.5	135	115	10
250			280	60	180	230	108	75	55	105	105	34	115	160	210	80	5.5	50	20	25.5	21.5	11	33	33	27	3.5	22.5	160	130	15
400	160	165	401	89	230	290	170	110	75	135	135	55	115	210	270	140	7	65	32	45.5	29	11	42.5	37.5	37.5	5	36	235	205	15
630			45	41.5	13	42.5	37.5	37.5	5	36	260	220	20																	

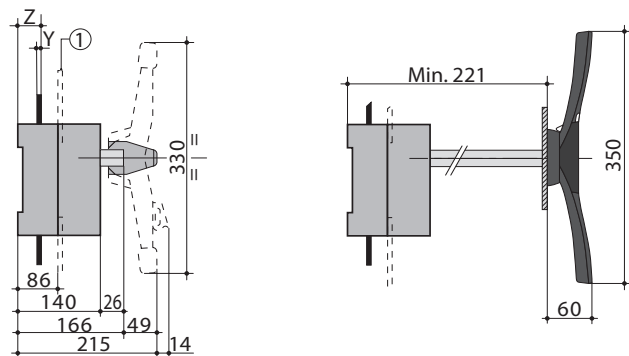
LBS 800 - LBS 1600

Direktni prednji pogon
Sprijeda



I. Poklopci za stezaljke

Prednji produženi pogon
Sa strane

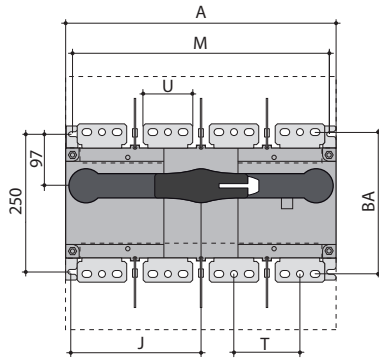


B. Tip ručice: LBS-EH1600

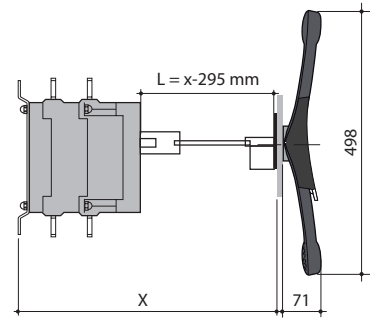
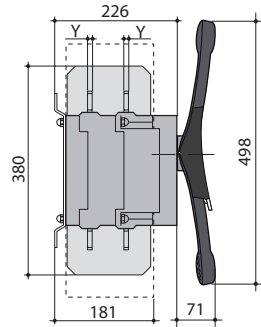
Struja (A)	Tijelo sklopke, (mm)		Montaža sklopke, (mm)		Priklučenje, (mm)							
	F (3p)	F (4p)	M (3p)	M (4p)	T	U	V	Y	X1	X2	Z	AA
800 - 1000	280	360	255	335	80	50	60.5	7	47.5	47.5	46.5	321
1250												330
1600	372	492	492	467	120	90	44	8	53.5	53.5	47.5	288

LBS 2000 - LBS 3200

Direktni prednji pogon
Sprijeda



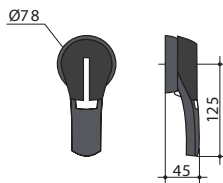
Prednji produženi pogon
Sa strane



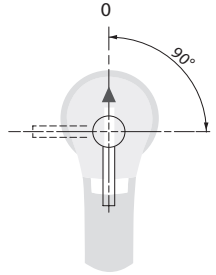
Tip ručice: LBS-EH3200

Struja (A)	Dimenzije, (mm)		Tijelo sklopke, (mm)		Montaža sklopke, (mm)		Prijključenje, (mm)			
	A (3p)	A (4p)	J (3p)	J (4p)	M (3p)	M (4p)	T	U	Y	BA
2000-3200	372	492	173.5	233.5	347	367	120	90	8	258

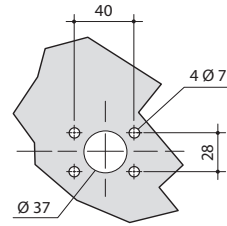
Tip ručice LBS-EH630



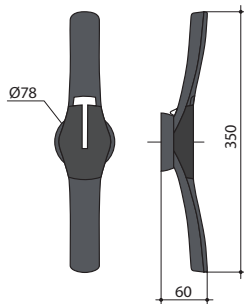
Direktni prednji pogon



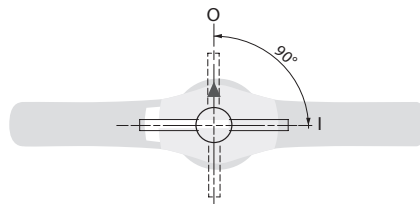
Plan bušenja



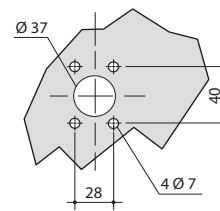
Tip ručice LBS-EH1600



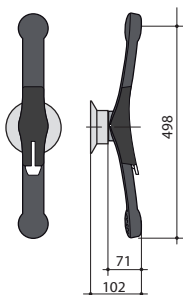
Direktni prednji pogon



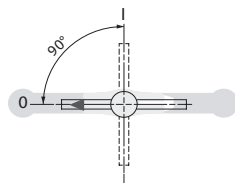
Plan bušenja



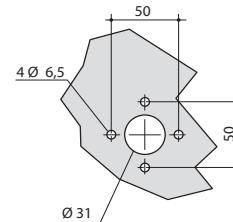
Tip ručice LBS-EH3200



Direktni prednji pogon

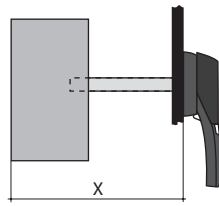


Plan bušenja



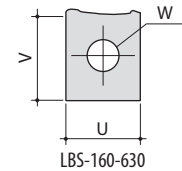
Tehnički podaci

Struja (A)	Dimenzija X (mm)	Dužina osovine (mm)
LBS 160	125 - 250	200
	125 - 370	320
	125 - 550	500
LBS 250	135 - 265	200
	135 - 385	320
	135 - 565	500
LBS 400-630	165 - 295	200
	165 - 415	320
	165 - 595	500
LBS 800-1600	221 - 343	200
	221 - 463	320
	221 - 543	400
LBS 2000-3200	415 - 570	200
	415 - 690	320
	415 - 820	450



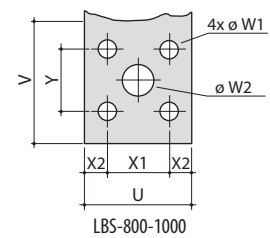
Struja (A)	U, (mm)	V, (mm)	W, (mm)
160	20	25	9
250	25	21.5	11
400	32	29	11
630	45	41.5	13

Dimenzije stezaljki:



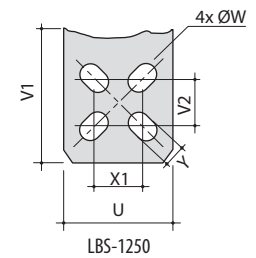
LBS-160-630

Struja (A)	U, (mm)	V, (mm)	W1, (mm)	W2, (mm)	X1, (mm)	X2, (mm)	Y, (mm)
800 - 1000	50	60.5	9	16	28.5	11	33



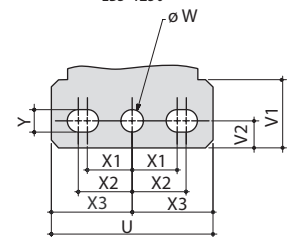
LBS-800-1000

Struja (A)	U, (mm)	V1, (mm)	V2, (mm)	W, (mm)	X1, (mm)	Y, (mm)
1250	60	65	28.5	16	28.5	11



LBS-1250

Struja (A)	U, (mm)	V1, (mm)	V2, (mm)	W, (mm)	X1, (mm)	X2, (mm)	X3, (mm)	Y, (mm)
1600-3200	90	35.8	15	12.5	25	30	45	12.5

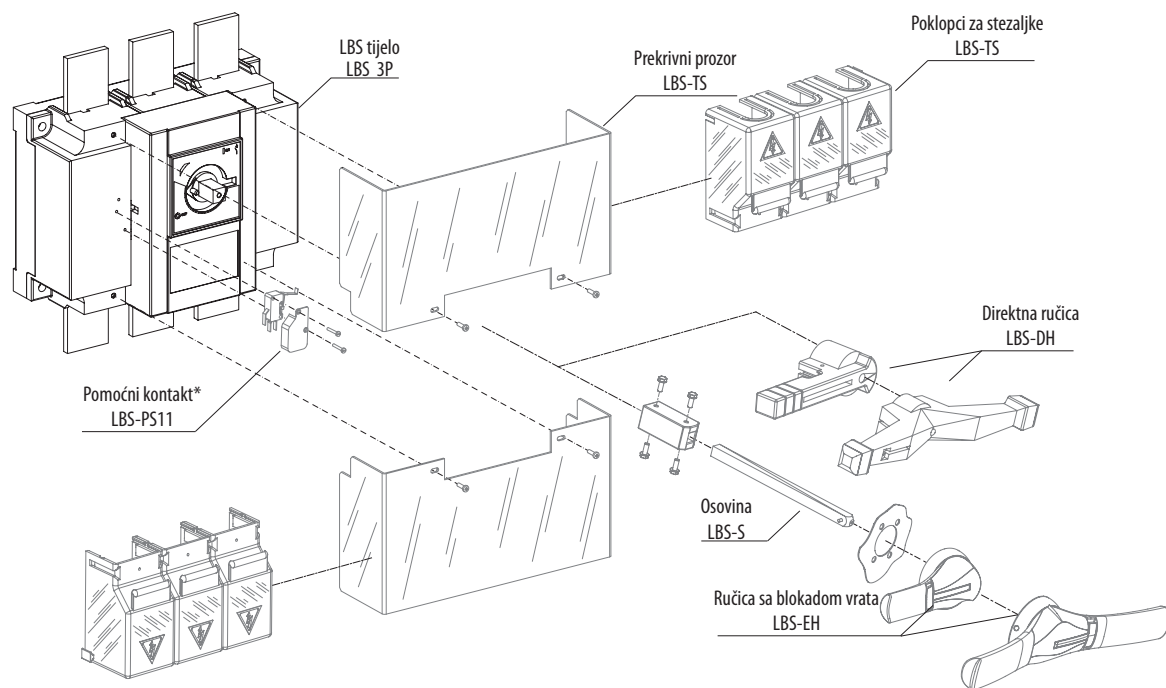


LBS-1600-3200

LBS-PS11 Pomoćni kontakt (preklopni NO/NC)

Struja (A)	Tip kontakata	Nazivna struja (A)	Radna struja I _e (A)									
			230 V AC		400 V AC		24 V DC			48 V DC		
			AC-12	AC-13/15	AC-12	AC-13/15	DC-12	DC-13	DC-14	DC-12	DC-13	DC-14
160-3200	C0	16	16	4	12	3	2,5	2,5	1	2,5	1,2	0,2

Montaža pribora



*Na svako tijelo sklopke može se montirati samo jedan pomoćni kontakt.